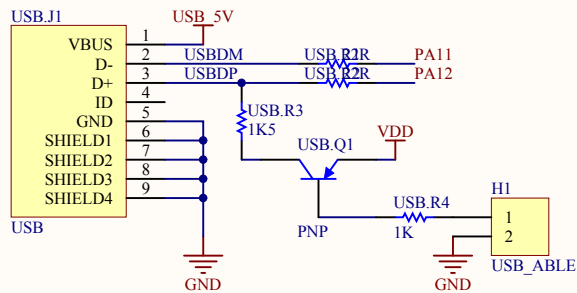
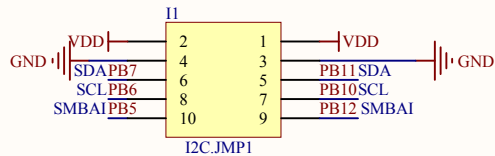
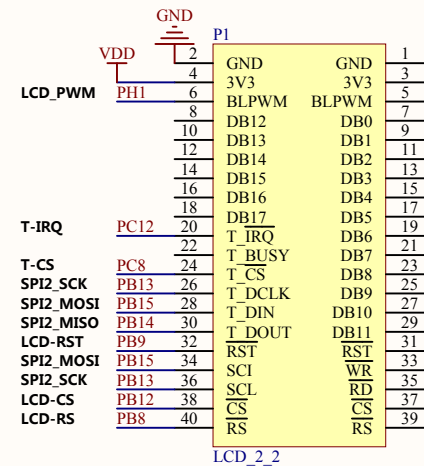


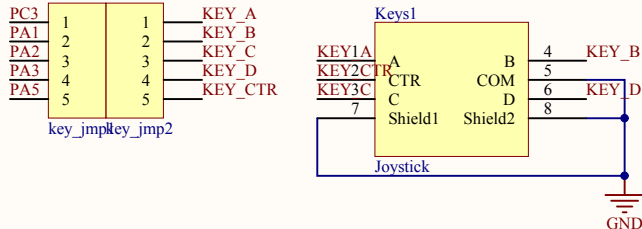
USART1 USART2



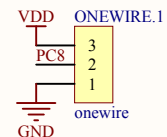
USB



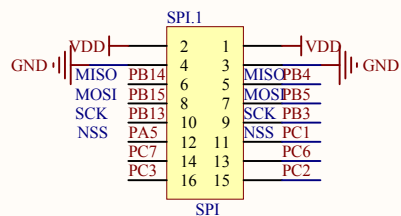
I2C1 I2C2



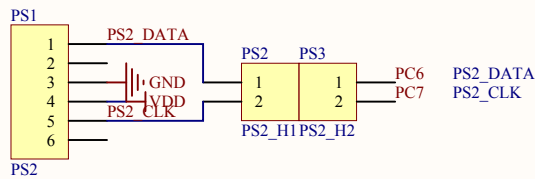
JOYSTICK



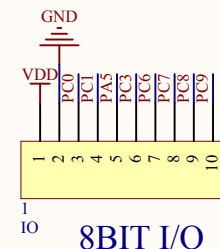
ONEWIRE



SPI1 SPI2

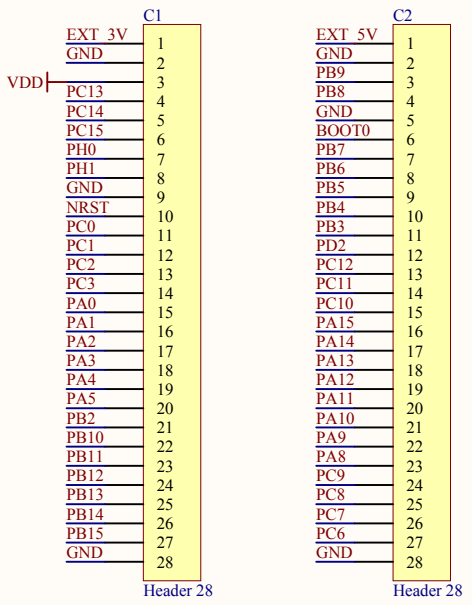


PS2

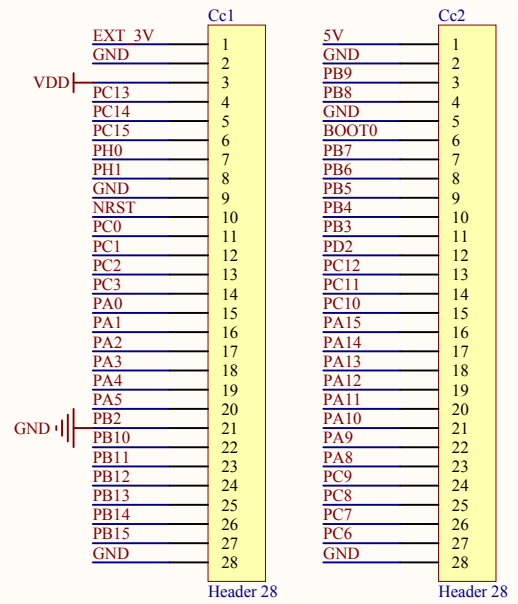


8BIT I/O

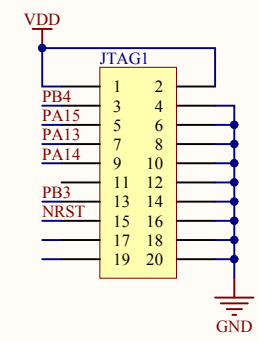
Title		
Size	Number	Revision
A4		
Date:	2012/10/16	Sheet of
File:	E:\pcb\...\interface.SchDoc	Drawn By:



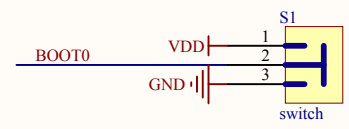
MCU



IO PORT



20PIN_JTAG

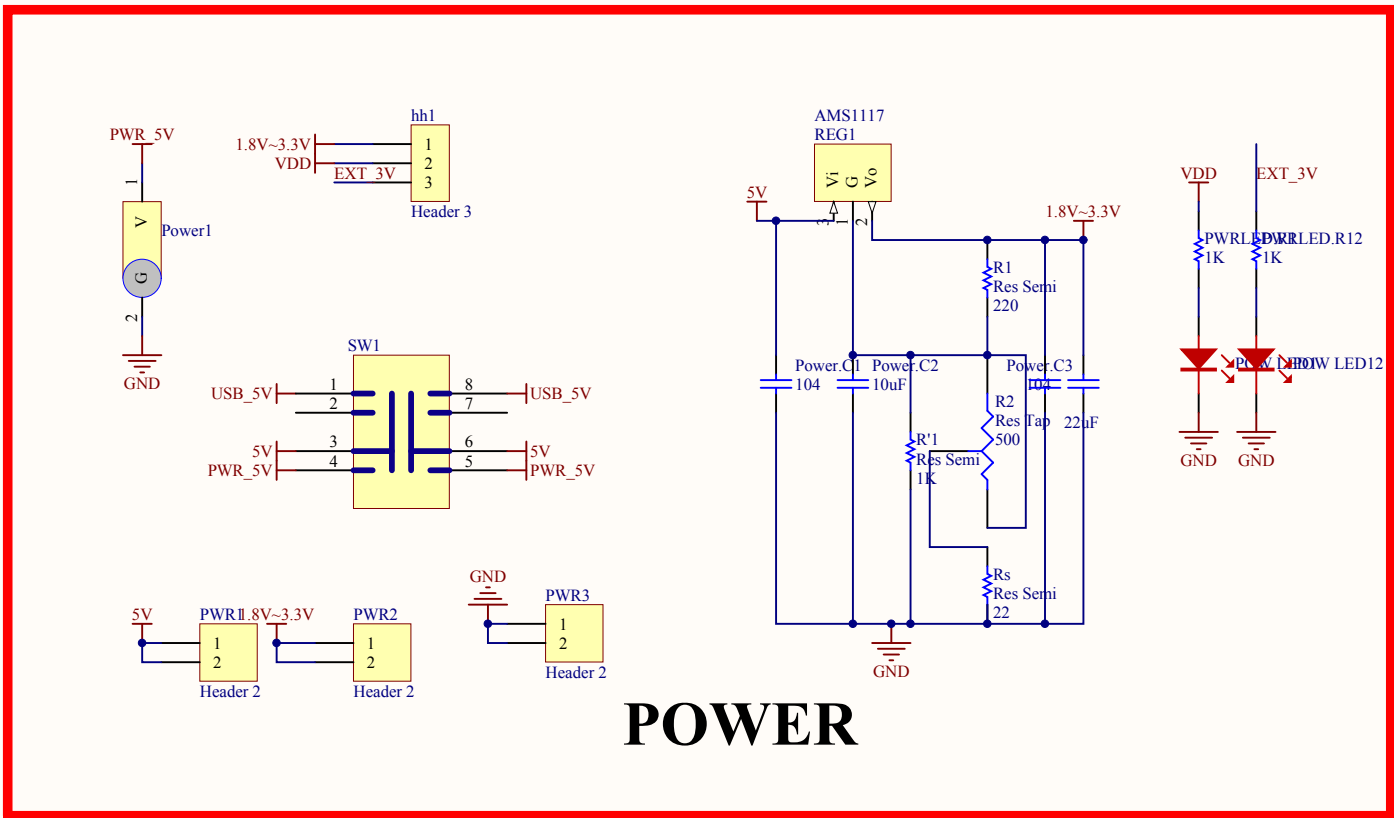


BOOT

W
aveshare

ST

Title		
Size	Number	Revision
A4		
Date:	2012/10/16	Sheet of
File:	E:\pcb\mcu\STM32\Open32L-D\MCU.Sch.Dwg Drawn By:	



Title		
Size	Number	Revision
A4		
Date:	2012/10/16	Sheet of
File:	E:\pcb\mcu\STM32\Open32L-D\Power.Sch Down By:	